



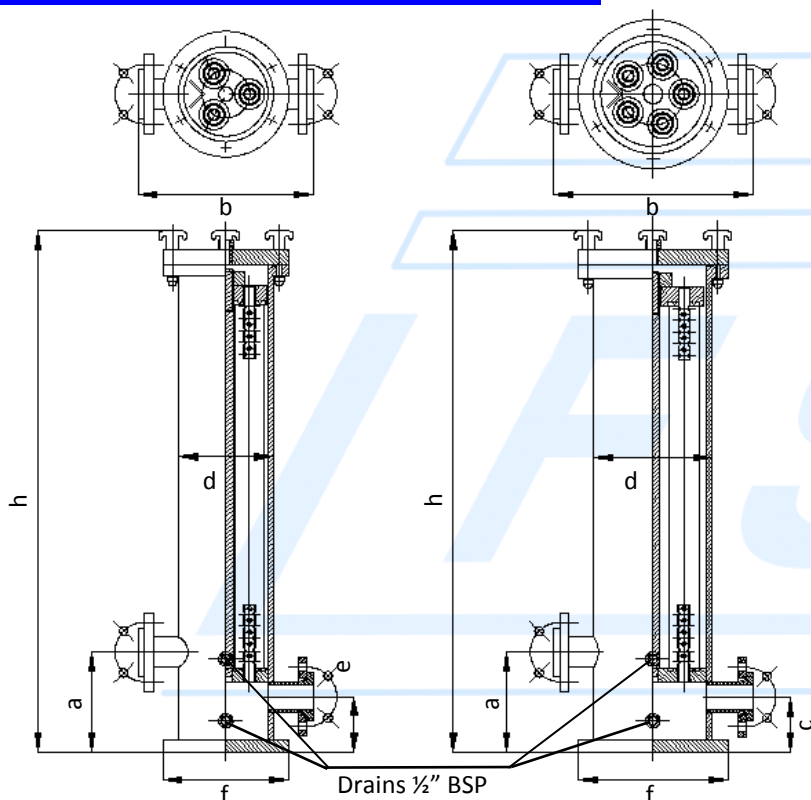
POLY PROPYLENE CARTRIDGE FILTERS

JCF-3 / 5 SERIES

Ordering code: JCF-575-PP6E-DOE-50F

Type _____
 Pcs/lengthe _____
 Material (PP/PE/PVDF) _____
 Presure (6/10 bar) _____
 Material O-ring ((E)PDM/(V)ITON) _____
 Adaptor (DOE/M3/M7/222) _____
 DN & (F)langed/(T)hreaded connection _____

Cartridge length	3 Cartridges	5 Cartridges
10"	JCF-325	JCF-525
20"	JCF-350	JCF-550
30"	JCF-375	JCF-575
40"	JCF-3100	JCF-5100



Inlet/Outlet	Dimensions in mm								
JCF-3	a	b	d	e	f	h 10"	h 20"	h 30"	h 40"
DN 32/40/50	210	370	200	115	265	600	850	1100	1350
DN 65/80	260	400	200	125	265	630	880	1130	1380
DN 100	290	400	200	135	265	660	910	1160	1410
JCF-5	a	b	d	e	f	h 10"	h 20"	h 30"	h 40"
DN 32/40/50	210	420	250	115	315	600	850	1100	1350
DN 65/80	260	450	250	125	315	630	880	1130	1380
DN 100	290	450	250	135	315	660	910	1160	1410

Liquid Filtration Systems