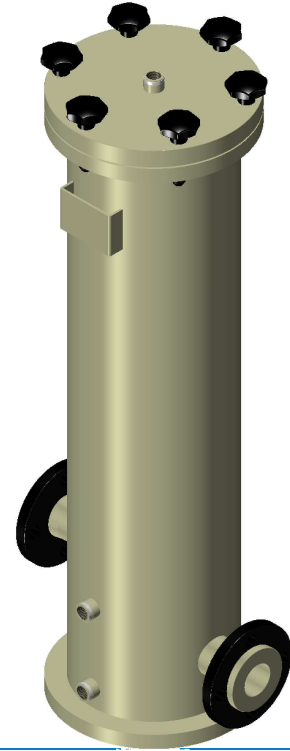


JCF-3 & JCF-5 Series

Our standard JCF-3 and JCF-5 series are available in 6 bar and 10 bar. The housings are very suitable for use in brackish water, seawater applications and also have high resistance against acids. The housing are designed according to the PED. The position of the inlet and outlet can be changed if another position is preferred. Options: valves, pressure gauges, automatic air release. LFS calculates the chemical, temperature and pressure influences on the housing.



Specifications

Materials	
Housing	Polypropylene (PP)
	Polyethylene (HD-PE)
Bolts	Stainless steel
O-ring	EPDM/FPM
Dimensions	
Diameter JCF-3	225 mm
Diameter JCF-5	250 mm
Cartridge length	10" to 60"
Other	
Inlet/Outlet	DN 25 to 100
	½" to 2"
Drains/vent	½" BSP
Max. temperature	60°C
Max. pressure @ 40° C	6 bar or 10 bar

Ordering code: JCF-575-PP6E-DOE-50F

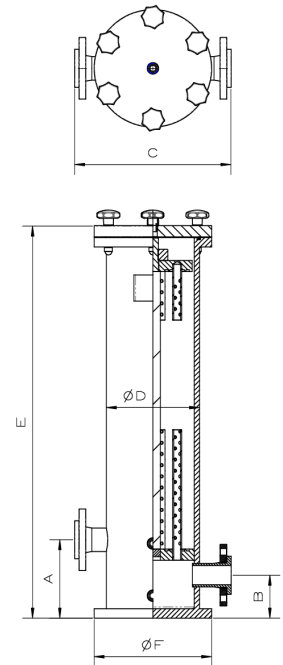
Type	DN + Connection
JCF = Cartridge	F = Flange
JBF = Bagfilter	FT = Female Thread
JSF = Strainer	MT = Male Thread
JDF = High flow	Adaptor
Quantity Filtercartridges	DOE = Double open end
Length	C3 = 222 O-ring
25 = 10"	C7= Bayonet
50 = 20"	O-ring
75 = 30"	E = EPDM
100 = 40"	V = FPM
Material	Pressure
PP = Polypropylene	6 = 6 bar @ 40° C
HD-PE = Polyethylene	10 = 10 bar @ 40° C

Benefits

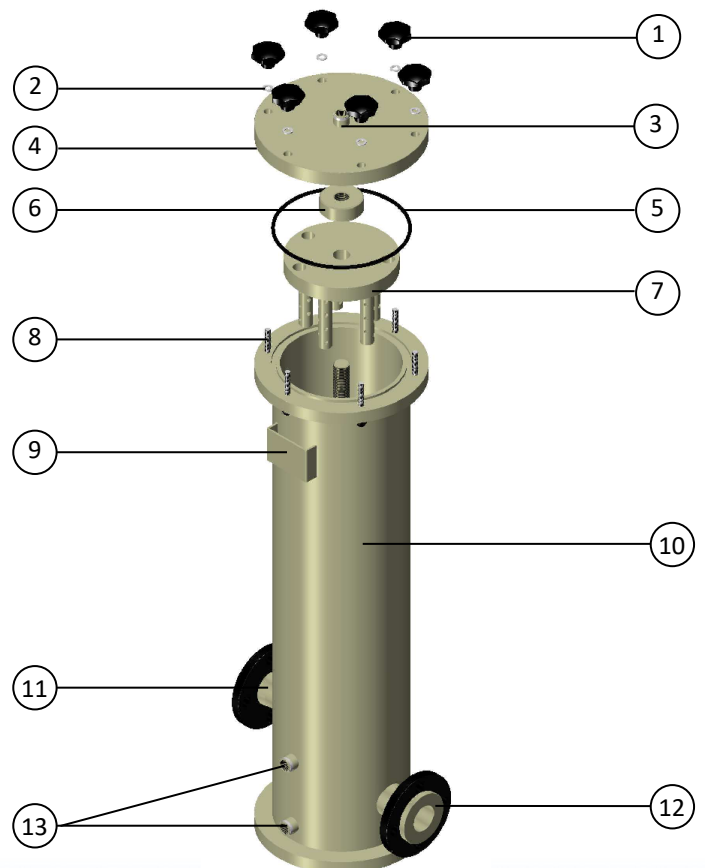
- In- and outlet position can be chosen
- Pressure up to 10 bar
- High chemical resistance
- Can be in environments with high concentrations of salt
- Optimal for use in desalination systems
- Low maintenance
- Easy and quick change of filter cartridges

For Clear Solutions

Dimensions in mm	JCF-3		JCF-5		
	Inlet / outlet DN 32/40/50	Inlet / outlet DN 65/80	Inlet / outlet DN 32/40/50	Inlet / outlet DN 65/80	Inlet / outlet DN 100
A	210	260	210	260	290
B	115	125	115	125	135
C	370	400	420	450	450
D	225	225	250	250	250
F	290	290	315	315	315
E 10" (6 bar/10 bar)	550/580	580/610	550/580	580/610	600/630
E 20" (6 bar/10 bar)	800/830	830/860	800/830	830/860	850/880
E 30" (6 bar/10 bar)	1050/1080	1080/1110	1050/1080	1080/1110	1100/1130
E 40" (6 bar/10 bar)	1320/1350	1350/1380	1320/1350	1350/1380	1370/1400



Pos	Name	Material
1	Handwheel	bakelite
2	Washer	Stainless steel
3	Vent 1/2" BSP	PP / HD-PE
4	Lid	PP / HD-PE
5	O-ring	EPDM / FMP
6	Nut	PP / HD-PE
7	Pressure plate	PP / HD-PE
8	Bolt set	Stainless steel
9	Name tag	PP / HD-PE
10	Housing	PP / HD-PE
11	Inlet	PP / HD-PE
12	Outlet	PP / HD-PE
13	Drain 1/2" BSP	PP / HD-PE



For Clear Solutions